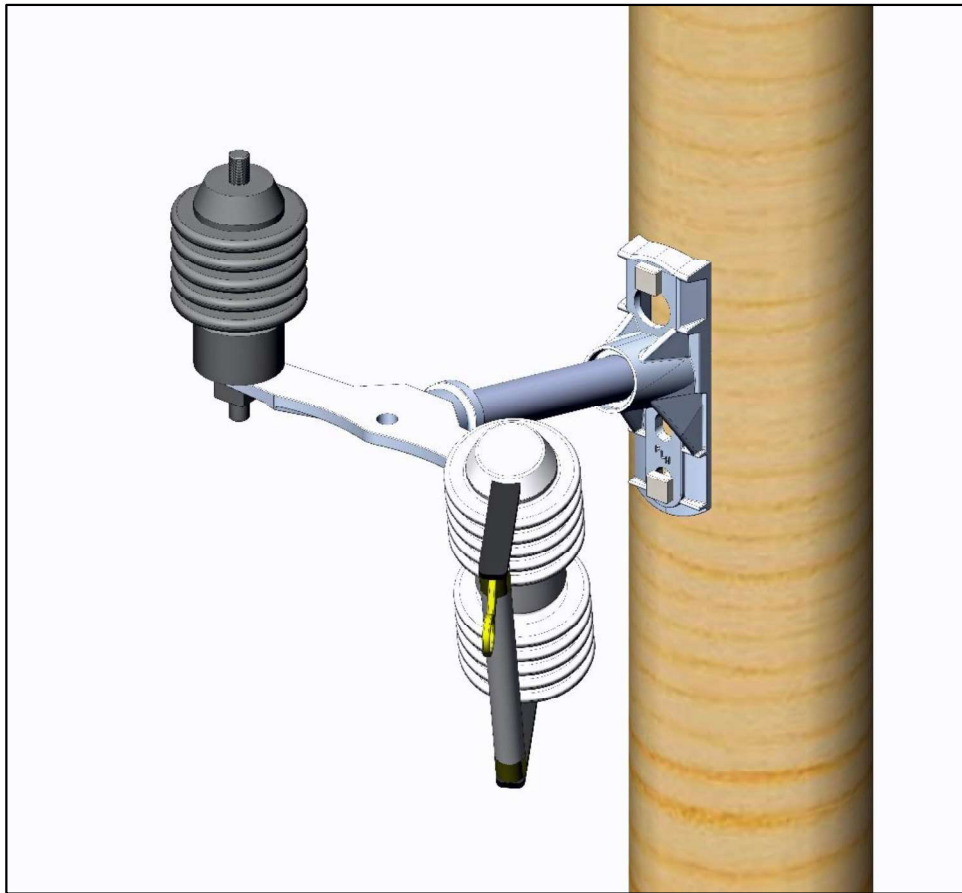




CUTOOUT & ARRESTOR
BRACKETS



BUILD-A-BRACKET SINGLE PHASE CUTOUT & ARRESTOR BRACKETS

**BUILD-A-BRACKET SYSTEM
NUMBERING KEY**

FLH 0 - 1 - 18 - C 1 H

FLH PREFIX

RISE

OFFERINGS

- 0 = ZERO DEGREE
- F = FIFTEEN DEGREE, IRON BASE
- R = FIFTEEN DEGREE, DOUBLE MOUNT
- L = FIFTEEN DEGREE, STANDARD MOUNT

ROD DIAMETER

OFFERINGS

- 1 = 1-1/2" DIA

LENGTH

OFFERINGS

- 12 = 12"
- 15 = 15"
- 18 = 18"
- 24 = 24"

HARDWARE

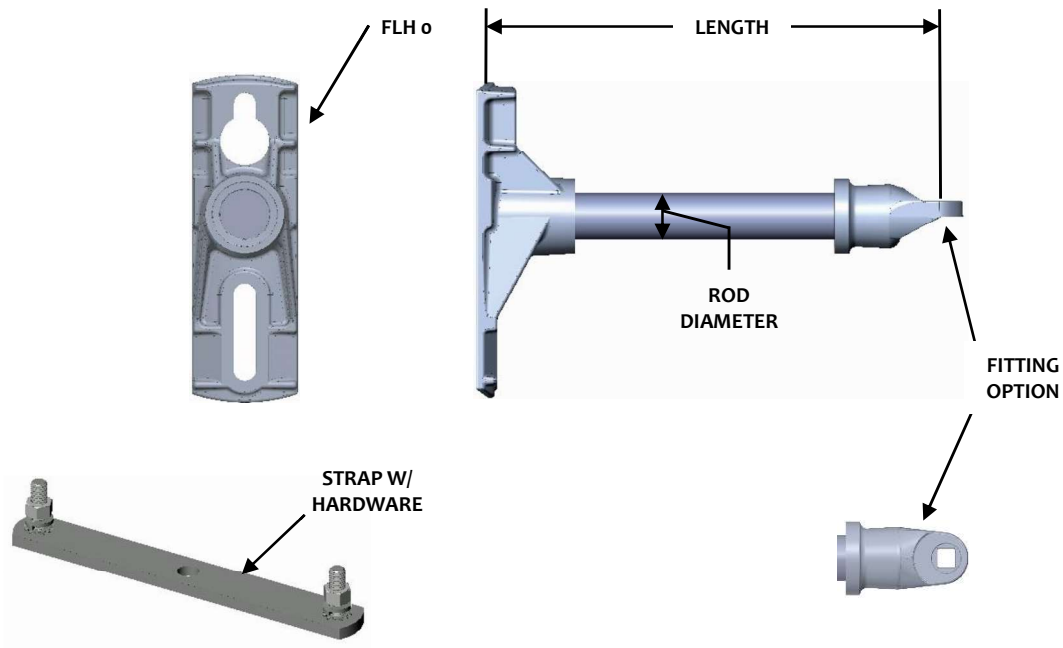
OFFERINGS

- H = HARDWARE
- S = STRAP (C1 FITTING ONLY)
- BLANK = NO HARDWARE

FITTING OPTION

OFFERINGS

- C1 = SINGLE POSITION MOUNT
- C2 = TWO POSITION MOUNT
- C3 = THREE POSITION MOUNT
- C4 = SINGLE POSITION LONG MOUNT



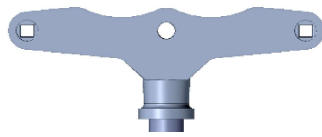
BUILD-A-BRACKET SINGLE PHASE CUTOUT & ARRESTOR BRACKETS

BASE/FITTING OPTIONS



C1

1 MOUNTING POSITION
0° OR 15° BASE



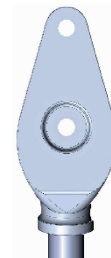
C2

2 MOUNTING POSITION
0° OR 15° BASE



C3

3 MOUNTING POSITION
0° OR 15° BASE



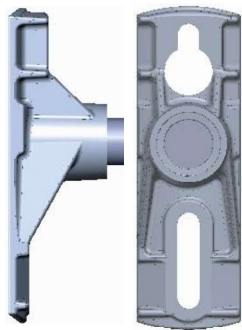
C4

1 MOUNTING POSITION
15° BASE



C5

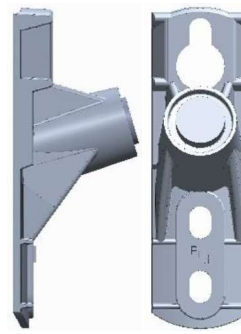
3 MOUNTING POSITION
15° BASE



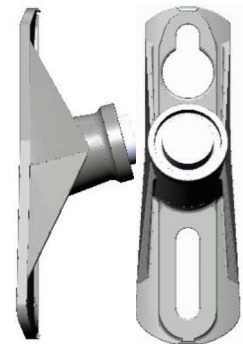
FLH-0



FLH-F



FLH-R



FLH-L

BASE	ANGLE	MOUNT SPACING	DOUBLE NUT	MATERIAL
FLH-0	0°	6" – 8"	YES	ALUMINUM
FLH-F	15°	6" – 8"	NO	DUCTILE IRON
FLH-R	15°	6" – 8"	YES	ALUMINUM
FLH-L	15°	6" – 8"	NO	ALUMINUM

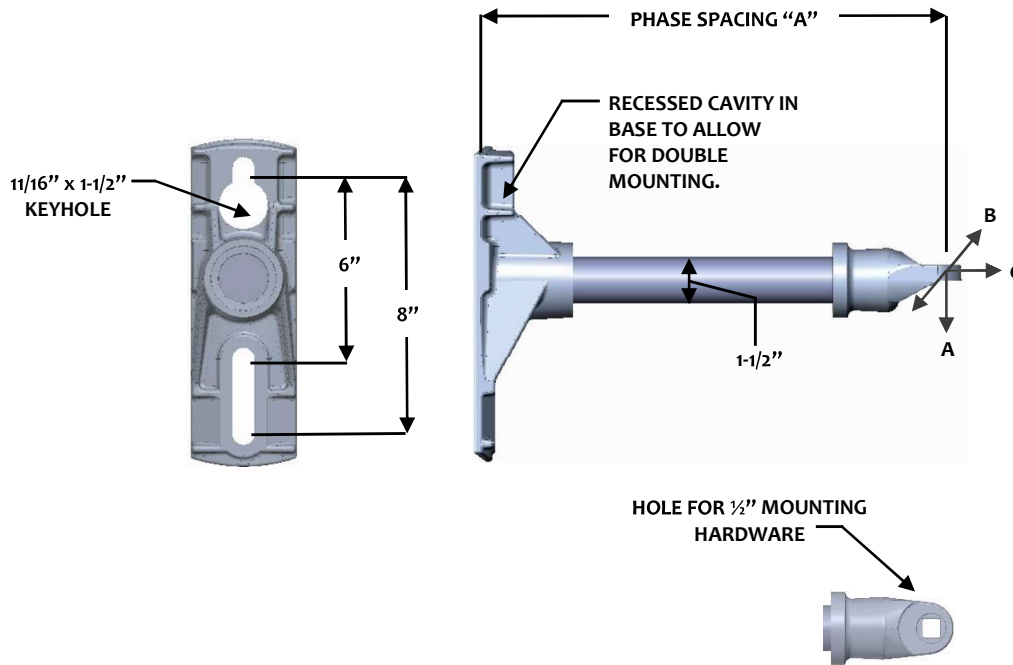
SINGLE PHASE 0° CUTOUT & ARRESTOR BRACKETS

SPECIFICATIONS

BASE: ALUMINUM, 356-T6
 ROD: SOLID, ELECTRICAL GLASS ROVING WITH ULTRA-VIOLET INHIBITORS. VEIL COATED.
 FITTING: ALUMINUM, 356-T6
 HARDWARE: STEEL, HOT DIP GALVANIZED

CATALOG NUMBER	PHASE SPACING "A" INCHES	MINIMUM ULTIMATE LOAD (LBS)		
		VERTICAL A	LONG B	TRANS. C
FLH0-1-12-C1	12	1800	900	1500
FLH0-1-15-C1	15	1500	800	1500
FLH0-1-18-C1	18	1200	700	1500
FLH0-1-24-C1	24	900	500	1500

RECOMMENDED WORKING LOAD 50% OF RATING LISTED



NOTE:

FOR OTHER LENGTHS PLEASE CONTACT US.
 FOR BRACKET WITH 1/2" CAPTIVE CARRIAGE BOLT, SHAKEPROOF WASHER, LOCK WASHER AND HEX NUT, ADD SUFFIX "H" TO CATALOG. (EXAMPLE: FLH0-1-12C1-H)
 FOR BRACKET WITH STRAP, ADD SUFFIX "S" TO CATALOG. (EXAMPLE: FLH0-1-12C1-S)
 FOR BRACKET WITH STRAP AND HARDWARE, ADD SUFFIX "SH" TO CATALOG. (EXAMPLE: FLH0-1-12C1-SH)
 TO SPECIFY SILICONE COATED ROD, ADD SUFFIX "SC" (I.E. = FLH0-1-12C1-SC)